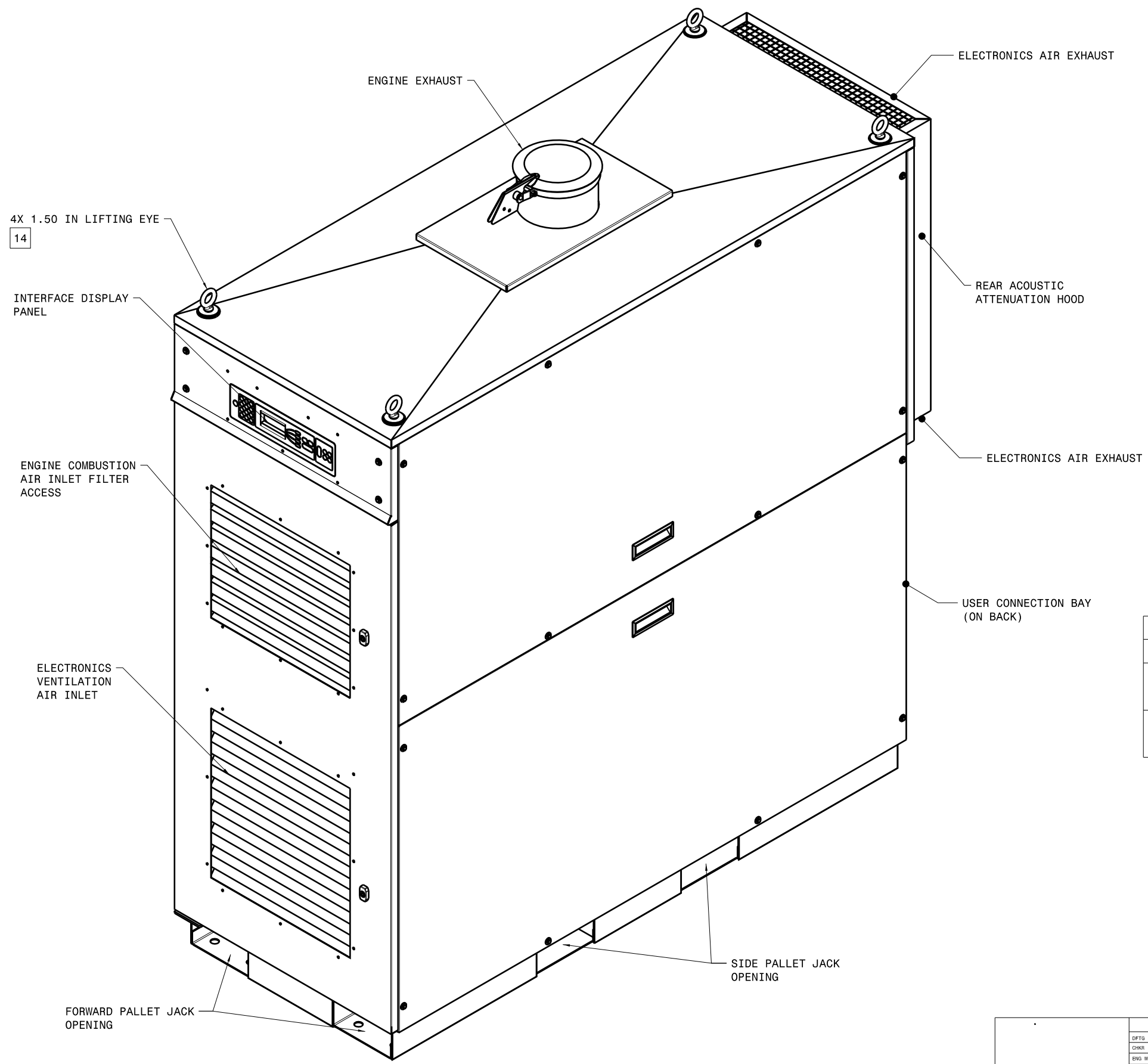


NOTICE

THIS DOCUMENT CONTAINS INFORMATION WHICH IS BOTH CONFIDENTIAL AND PROPRIETARY TO CAPSTONE TURBINE CORP. NEITHER THIS DOCUMENT NOR THE INFORMATION CONTAINED HEREIN SHALL BE COPIED, DISCLOSED TO OTHERS OR USED FOR ANY PURPOSES BEYOND THE SPECIFIC PURPOSE FOR WHICH THIS DOCUMENT WAS DELIVERED WITHOUT THE EXPRESS WRITTEN PERMISSION OF CAPSTONE TURBINE CORPORATION.
1995 CAPSTONE TURBINE CORPORATION - ALL RIGHTS RESERVED

- 1 INTERPRET DRAWING PER ANSI Y14.5M-1982.
- 2 ALL DIMENSIONS ARE IN INCHES [MM]
- 3 FRONT, SIDE AND REAR CLEARANCES SHOULD BE PROVIDED FOR SERVICE ACCESS. LOCAL ELECTRICAL CODES SHALL PRESCRIBE MINIMAL REAR CLEARANCE FOR ACCESS TO JUNCTION BOX.
- 4 MOUNT LEVEL WITHIN 2% GRADE. SURFACE MUST DRAIN TO PREVENT STANDING WATER.
- 5 REFER TO PRODUCT CATALOGUE FOR OPTIONAL ACCESSORIES.
- 6 REFER TO CAPSTONE MICROTURBINE FUEL TECHNICAL REFERENCE MANUAL 410002.
- 7 LIFT UNIT WITH FIVE INCH WIDE FORK LIFT BLADES.
- 8 FOR OVERHEAD LIFTING OF UNIT; STRAPS SHALL NOT EXCEED 30° FROM VERTICAL.
- 9 THIS APPLIES TO STAND ALONE OR DUAL MODE SYSTEMS.
- 10 THIS APPLIES TO GRID CONNECT SYSTEMS ONLY.
- 11 ADDITIONAL PRODUCT SPECIFICATION INFORMATION IS CONTAINED IN THE PRODUCT SPECIFICATION 460044.
- 12 ADDITIONAL INFORMATION IS CONTAINED IN THE C65 TECHNICAL REFERENCE 410075.
- 14 HAND TIGHTEN LIFTING EYE AND TIGHTEN AN ADDITIONAL 3/4 TO 1 TURN TO SECURE LIFTING EYE PARALLEL WITH LONG SIDE OF UNIT.
- 15 ROOF IS A "NO STEP" ZONE.

REVISIONS			
LTR	DESCRIPTION	DATE	APPROVED
D	SEE ECO 106097	11/23/2020	P.BREAULT



WEIGHTS		
DUAL MODE	2471 LBS	1121 KG
GRID CONNECT	1671 LBS	758 KG

LUG SIZES/ELECTRICAL CONNECTIONS		
	WIRE SIZE	TORQUE
HIGH POWER	2/0 TO #6 AWG	120 IN LBS
	62 TO 13 mm ²	1.38 KG-M
NEUTRAL TO GROUND		30 IN LBS
		0.34 KG-M

FUELS	FUEL INLET	MODES	
		DM	GC
HPNG	3/4" MALE NPT	X	X
LIQUID	3/8" MALE NPT*	X	X
LPG	3/4" MALE NPT	X	X
LANDFILL (TYPE A)	3/4" MALE NPT		X
DIGESTER (TYPE B)	3/4" MALE NPT		X

*SEE PAGE TWO FOR LIQUID FUEL PURGE AND DRAIN

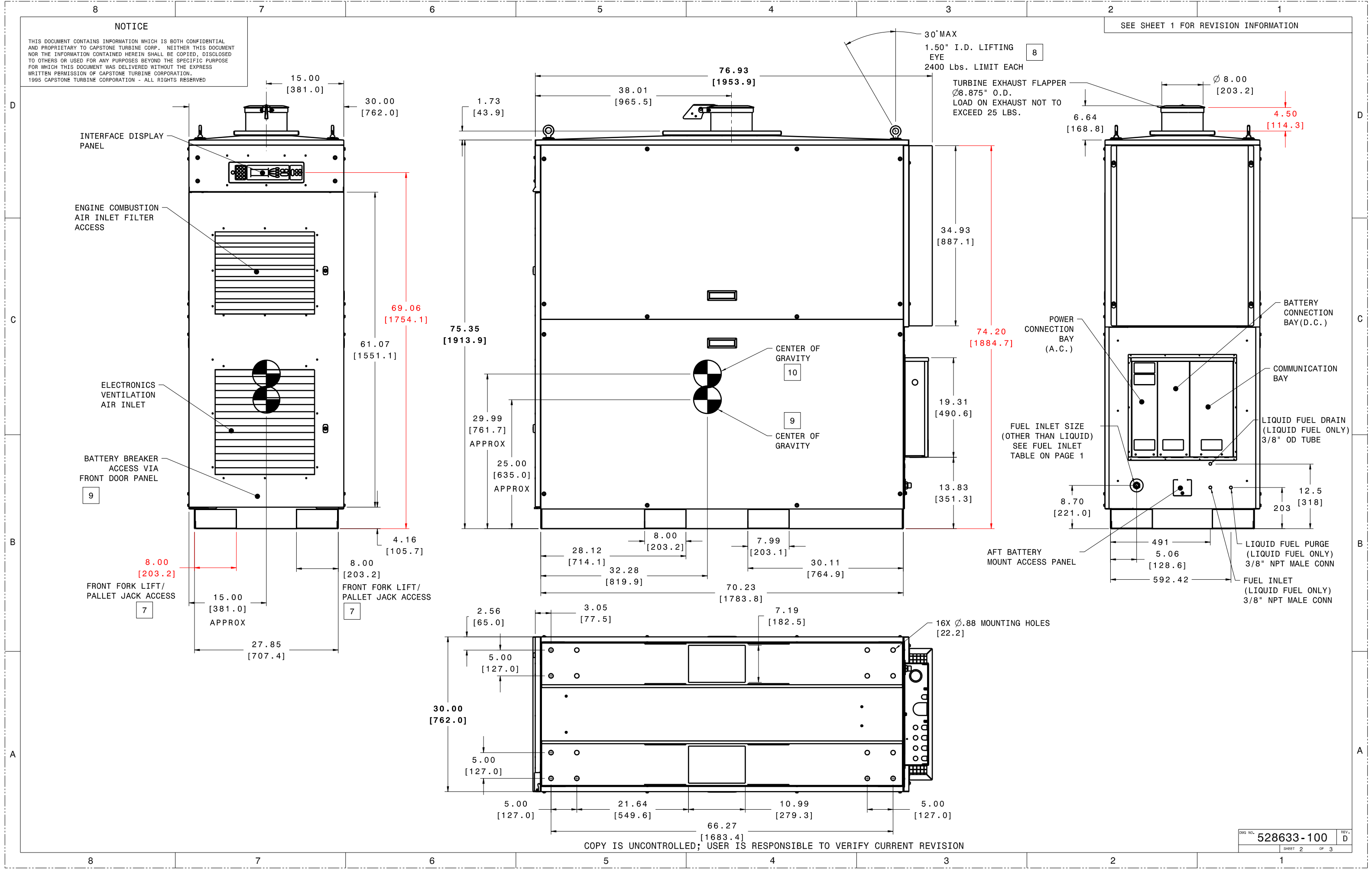
COPY IS UNCONTROLLED; USER IS RESPONSIBLE TO VERIFY CURRENT REVISION

APPROVALS	DATE	<p>Capstone Turbine Corporation 16640 STAOG STREET VAN NUYS, CA 91406</p>	TITLE	0&I, C65, IND PKG
DFTG P.BREAULT	10/21/2020		SIZE	CASE CODE D 1U1M9
CHKR N.WHILE	10/27/2020		DWG NO.	528633-100
ENG MGR R.FLORES	11/18/2020		REV.	D
COG ENG P.BREAULT	10/27/2020		SCALE	1:1
MAT ENG P.BREAULT	11/18/2020	DRW NO.	528633-100	
THIRD ANGLE PROJECTION		DRW NO.	528633-100	REV. D
DO NOT SCALE DRAWING		SCALE	1:1	DRW NO. 528633-100
		VER. 04	SHEET 1	OF 3

NOTICE

THIS DOCUMENT CONTAINS INFORMATION WHICH IS BOTH CONFIDENTIAL AND PROPRIETARY TO CAPSTONE TURBINE CORP. NEITHER THIS DOCUMENT NOR THE INFORMATION CONTAINED HEREIN SHALL BE COPIED, DISCLOSED TO OTHERS OR USED FOR ANY PURPOSES BEYOND THE SPECIFIC PURPOSE FOR WHICH THIS DOCUMENT WAS DELIVERED WITHOUT THE EXPRESS WRITTEN PERMISSION OF CAPSTONE TURBINE CORPORATION. 1995 CAPSTONE TURBINE CORPORATION - ALL RIGHTS RESERVED

SEE SHEET 1 FOR REVISION INFORMATION



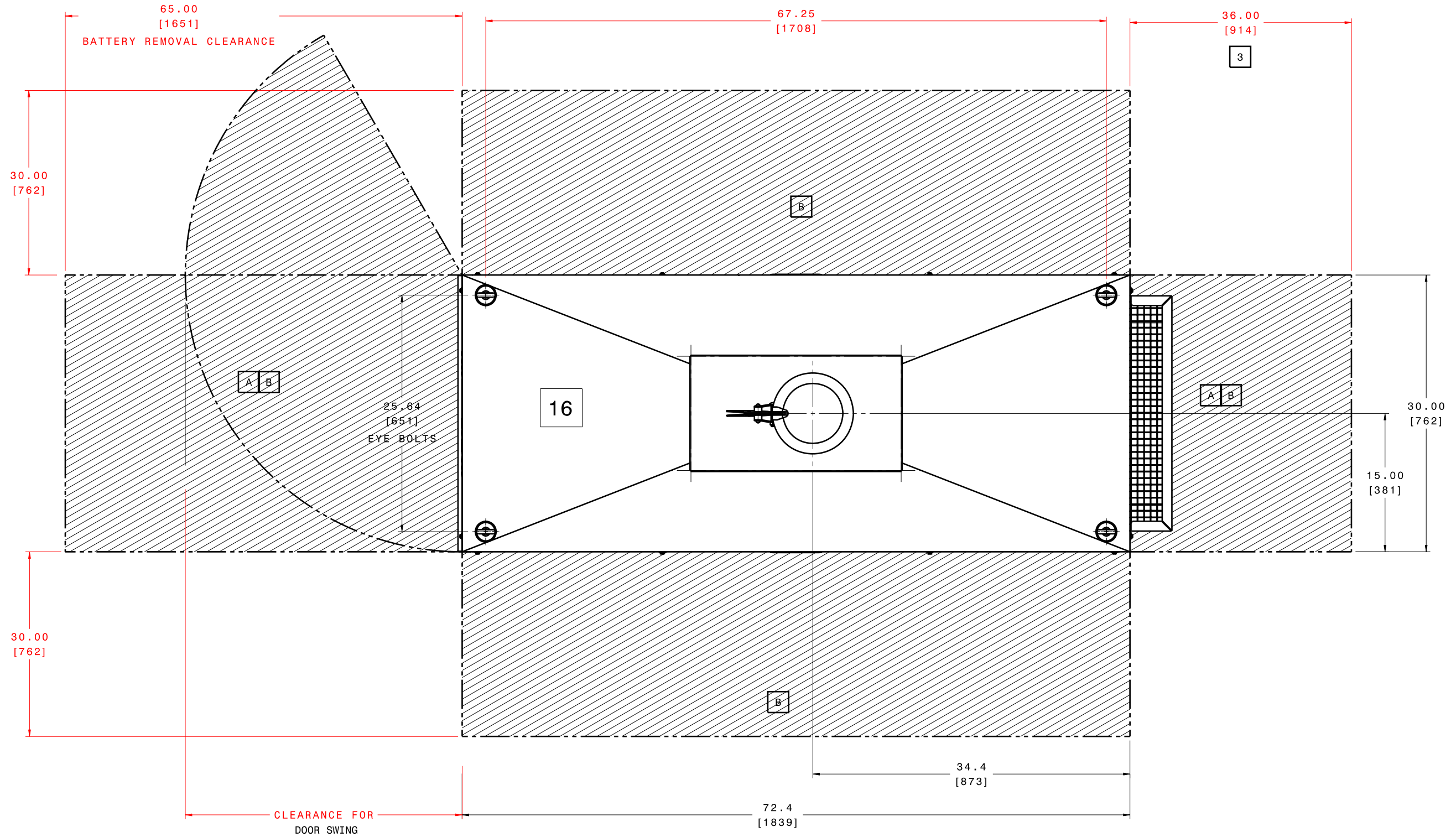
COPY IS UNCONTROLLED; USER IS RESPONSIBLE TO VERIFY CURRENT REVISION

DWG NO.	528633-100	REV.	D
SHEET	2	OF	3

NOTICE

THIS DOCUMENT CONTAINS INFORMATION WHICH IS BOTH CONFIDENTIAL AND PROPRIETARY TO CAPSTONE TURBINE CORP. NEITHER THIS DOCUMENT NOR THE INFORMATION CONTAINED HEREIN SHALL BE COPIED, DISCLOSED TO OTHERS OR USED FOR ANY PURPOSES BEYOND THE SPECIFIC PURPOSE FOR WHICH THIS DOCUMENT WAS DELIVERED WITHOUT THE EXPRESS WRITTEN PERMISSION OF CAPSTONE TURBINE CORPORATION. 1995 CAPSTONE TURBINE CORPORATION - ALL RIGHTS RESERVED

SEE SHEET 1 FOR REVISION INFORMATION



COPY IS UNCONTROLLED; USER IS RESPONSIBLE TO VERIFY CURRENT REVISION